

LUXUS Compact Media Controller



The LUXUS compact media controller is designed for single diver video inspections and fits perfectly with the LUXUS range of cameras and lights. The digital controller with touch screen and recording device can handle up to 300 hours of video and has a wide range of integrated inputs and outputs as standard.

The unit controls a camera and a light and includes output for an external monitor and 'audio in/out' for recording communication when an external communication device is in use. Both the camera and the light are operated using the control panel, including dimming of the light from 10 to 100%.

A diver umbilical can be connected to the controller with pre-installed bulkhead connectors or with customer specified connectors. The unit can be delivered with a wide range of optional products, including a range of cameras, lights and video cables from the LUXUS range.

The LUXUS compact media controller is equipped for voltage inputs of 90 to 240 VAC. 12 or 24 VDC input is available as an option.

Features and benefits

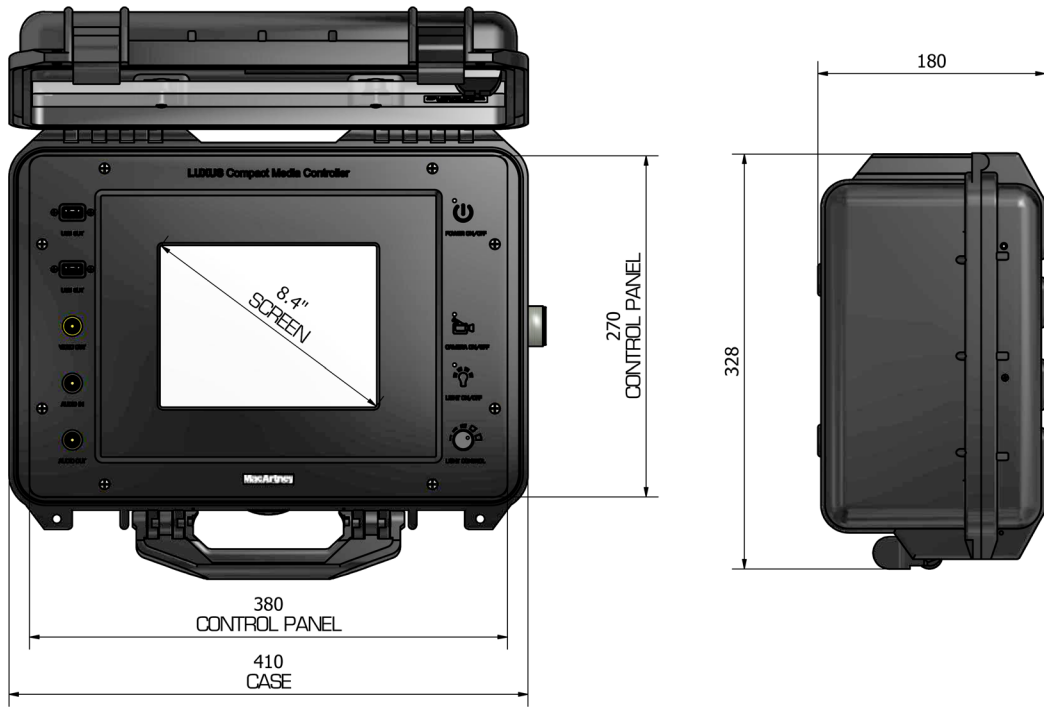
- Compact, portable and easy to use
- Designed for single video and light
- Video data stored on internal SSD disk with USB port
- Video out to connect to large screen
- Overlay function with company logo
- Overlay function with time and date
- Touch screen

Applications

- Diving applications
- Sewer inspections

Options

- LED or halogen lights
- 12 or 24 VDC input
- LUXUS pistol grip bracket
- Series of connectors
- Custom wiring
- Input communication
- Alternative connectors



Specifications

Electrical

Operating system:	Customised Windows
Input power:	90-240 VAC (50 Hz - 60 Hz)
Camera power:	24 VDC (other voltage available on request)
Lamp power:	24 V/100 W max
Lamp type:	LED
Controls:	Power on/off, camera on/off, lamp on/off, dimmer for lamp, audio in/out, video out, USB out
Recording capacity:	More than 200 GB

Connection

Power supply:	SubConn® MCBHRA3MSS
Umbilical:	SubConn® MCBHRA8FSS Connector (other on request)

Mechanical

Screen:	8.4" transfective
Dimensions:	See drawing (mm) (1 mm = 0.03937 inch)
Weight:	9 kg (without options)

Environmental

Storage temperature:	-20 to 50 °C
Operating temperature:	-40 to 70 °C